

LINIO NEON 0408X SV

Outdoor · Horizontal Bending · Field cuttable

Beamever

Features

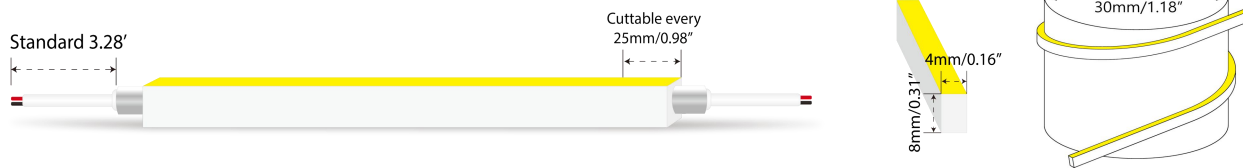
- Field cuttable & joinable
- Low voltage 24V DC
- All dimming protocols dimmable
- Ultra-thin profile, perfect for the designs you need
- IP65 rated for silicone end cap, IP54 for injected end cap
- UV stable without yellowing or cracking over time



Fixture type	
Project name	
Project phase	
Date	



Dimension & Bending



Physical

Dimensions	0.16" x 0.31" (width x height)
Bend Direction	Horizontal bending
Bend Diameter	1.18" (30mm)
Cutting Interval	1.97" (50mm)
Field Cuttable	Yes
Housing Material	Dow Corning
Housing Technique	Co-extrusion
Body Color	White
Finish	Matte
Feed Entry	Front, side, bottom
Feed Length	Standard length 3.28'
End Cap	Injected/silicone
Mounting	Clips or channels (rigid or bendable)
Storage Temperature	-25°C ~ 60°C (-13°F ~ 140°F)
Ambient Temperature	-25°C ~ 55°C (-13°F ~ 131°F)
Max. Production Length	65.6ft (20m)

Performance & Electrical

Voltage	24VDC (23.5Vmin, 24.5Vmax)
Beam Angle	110°
MacAdam	2 steps
Efficacy (lm/W)	36.1lm/W @3000K 1.83W
CRI	Ra>90
Lumen Maintenance	> 54,000 hours
IP Rating	IP65/ IP54
Resistance	UV, solvent, saltwater, flame
Dimming	Triac, ELV, PWM, 0-10V, DMX, SPI
Warranty	5 years

Certification & Safety

Certifications	UL
Environment	Dry, damp or wet locations

Lumen/ft	1.83W
■ 2400K	58
■ 2700K	62
■ 3000K	66
■ 3500K	68
■ 4000K	64
■ 5300K	62
Max. Run Length (ft)	16.4

LINIO NEON 0408X SV

Outdoor · Horizontal Bending · Field cuttable



Order Code

Series	Temp./Color	Power	Feed Entry	Connector Wire	End Cap	Length (ft)
LN0408XSV	24=2200K 27=2700K 30=3000K 35=3500K 40=4000K 53=5300K	183=1.83W	FF=Front + Front FC=Front + Closed	OW=Open wire 3.28' MFCW=Male & female connector with 0.98' white cable MFCB=Male & female connector with 0.98' black cable	IJ=Injected end cap (IP54) * Factory made only SEC=Silicone end cap (IP65) * End caps are added by default	Min. - 1.97" Max. run - 16.4' Cut Inc. - 1.97"

Example: LN0408XSV-30-183-FF-OW-IJ-3.28'

* Customizable—Contact Beamever representatives

*This product is not rated as submersible. Do not install in a location where water may pool or collect.

Feed Entry Options

For injected end cap (IP54), factory made only



For silicone end cap (IP65)

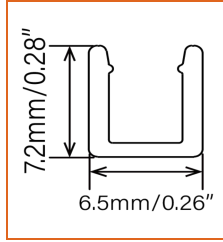
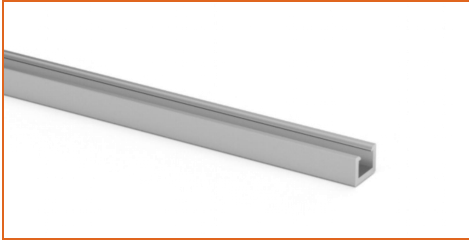


LINIO NEON 0408X SV

Outdoor · Horizontal Bending · Field cuttable

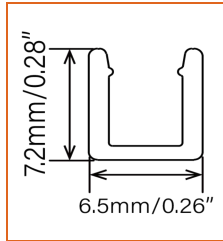


Mounting Options



* Standard length is 3.28'/pcs.

Name	Straight surface channel
Code	LN0408-SC
Material	Aluminum
Mounting style	Surface mounted
Length	3.28' (1m)
Width	0.26" (6.5mm)
Height	0.28" (7.2mm)
Internal width	/



* Recommend use 1 mounting clip for 1' of neon.

Name	Mounting clip
Code	LN0408-CL
Material	Stainless Steel
Mounting style	Surface mounted
Length	0.59" (15mm)
Width	0.26" (6.5mm)
Height	0.28" (7.2mm)
Internal Width	/

LINIO NEON 0408X SV

Outdoor · Horizontal Bending · Field cuttable



Driver Options

Code	Max Load	Input	Output	Dimmable	Class 2	Environment	Size (L*W*H)
Non Dimmable							
KV-24030-ASW	30W	100-277VAC	24V	No	Yes	Dry/damp	6.10*2.12*0.78 inch
KV-24060-ASW	60W	100-277VAC	24V	No	Yes	Dry/damp	7.00*2.40*0.94 inch
KV-24096-ASW	96W	100-277VAC	24V	No	Yes	Dry/damp/wet	9.05*2.75*1.69 inch
KV-24150-ASW	150W	100-277VAC	24V	No	No	Dry/damp/wet	10.07*3.07*1.85 inch
KV-24200-ASW	200W	100-277VAC	24V	No	No	Dry/damp/wet	10.07*3.07*1.85 inch
KV-24300-ASW	300W	100-277VAC	24V	No	No	Dry/damp/wet	10.86*3.07*1.85 inch
Phase cut /Triac Dimmable							
KVF-24030-TDW	30W	100-277VAC	24V	Yes	Yes	Dry/damp	6.10*2.12*0.78 inch
KVF-24060-TDW	60W	100-277VAC	24V	Yes	Yes	Dry/damp	7*2.4*0.94 inch
KVF-24096-TDW	96W	100-277VAC	24V	Yes	Yes	Dry/damp/wet	9.05*2.75*1.69 inch
KVF-24150-TDW	150W	100-277VAC	24V	Yes	No	Dry/damp/wet	10*3.07*1.85 inch
KVF-24200-TDW	200W	100-277VAC	24V	Yes	No	Dry/damp/wet	10*3.07*1.85 inch
KVF-24300-TDW	300W	100-277VAC	24V	Yes	No	Dry/damp/wet	10.87*3.07*1.85 inch
4 in 1 Dimmable (0-10V/1-10V/Potentiometer/10V PWM)							
KVD-24030-DIM	30W	100-277VAC	24V	Yes	Yes	Dry/damp	6.10*2.12*0.78 inch
KVD-24060-DIM	60W	100-277VAC	24V	Yes	Yes	Dry/damp	7.01*2.40*0.94 inch
KVD-24096-DIM	96W	100-277VAC	24V	Yes	Yes	Dry/damp/wet	9.05*2.75*1.69 inch
KVD-24150-DIM	150W	100-277VAC	24V	Yes	No	Dry/damp/wet	10.08*3.07*1.85 inch
KVD-24200-DIM	200W	100-277VAC	24V	Yes	No	Dry/damp/wet	13.38*11.02*7.28 inch
KVD-24300-DIM	300W	100-277VAC	24V	Yes	No	Dry/damp/wet	10.87*3.07*1.89 inch
5 in 1 Dimmable (Triac/0-10V/1-10V/Potentiometer/10V PWM)							
KVG-24030-DW	30W	100-277VAC	24V	Yes	Yes	Dry/damp	6.1*2.13*0.79 inch
KVG-24060-DW	60W	100-277VAC	24V	Yes	Yes	Dry/damp	7.01*2.41*0.94 inch
KVG-24096-DW	96W	100-277VAC	24V	Yes	Yes	Dry/damp/wet	9.06*2.76*1.69 inch
KVG-24150-DW	150W	100-277VAC	24V	Yes	No	Dry/damp/wet	10.08*3.07*1.85 inch
KVG-24200-DW	200W	100-277VAC	24V	Yes	No	Dry/damp/wet	10.08*3.07*1.85 inch
KVG-24300-DW	300W	100-277VAC	24V	Yes	No	Dry/damp/wet	10.87*3.07*1.89 inch

* Please refer to the spec sheet of each power supply for more detailed information

* KVF, KVD, KVG series are available in junction box enclosure, you can select it by adding "J" at the end of the driver code, e.g. KVF-24030-TDWJ, and refer to its standalone spec sheet on our website.

LINIO NEON 0408X SV

Outdoor · Horizontal Bending · Field cuttable



Accessories Options (Optional, purchase for extra)



Name Silicone closed end cap

Code LN0408-SEC-C

Closed silicone end cap



Name Silicone front end cap

Code LN0408-SEC-F-2P

Silicone end cap front entry with 11.81" black cable, 2 pin



Name Male and female connectors

Code MFC-2P-67-W

Male and female connectors with 11.81" white cable, 2 pin



Name Male and female connectors

Code MFC-2P-67-B

Male and female connectors with 11.81" black cable, 2 pin



Name Extension connectors

Code ETC-2P-67-1M

Extension male and female connectors with 1m (3.28ft) white cable, 2 pin



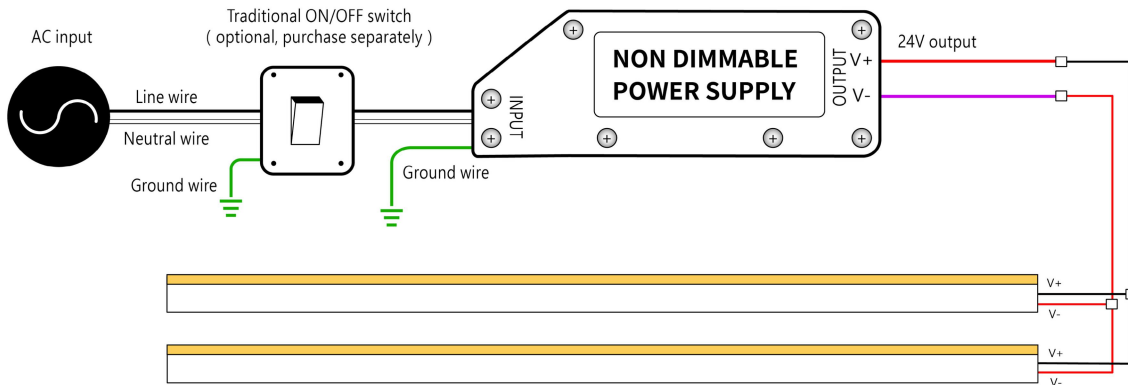
Name Extension connectors

Code ETC-2P-67-5M

Extension male and female connectors with 5m (16.4ft) white cable, 2 pin

Wiring Diagram

Non Dimmable



Dimmable

